

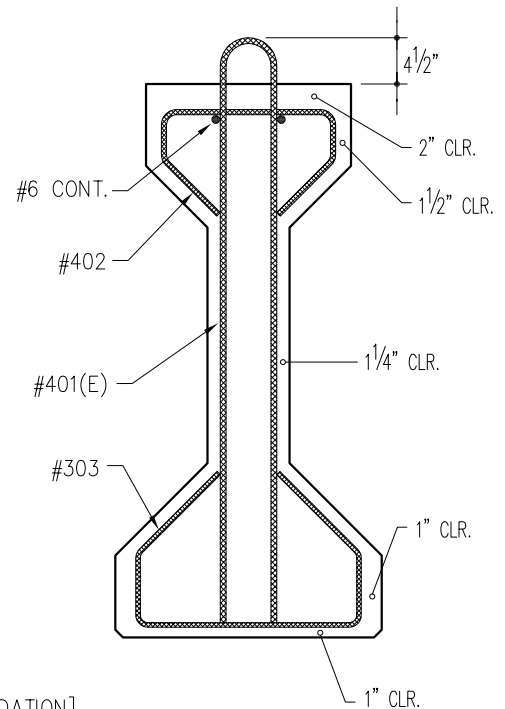
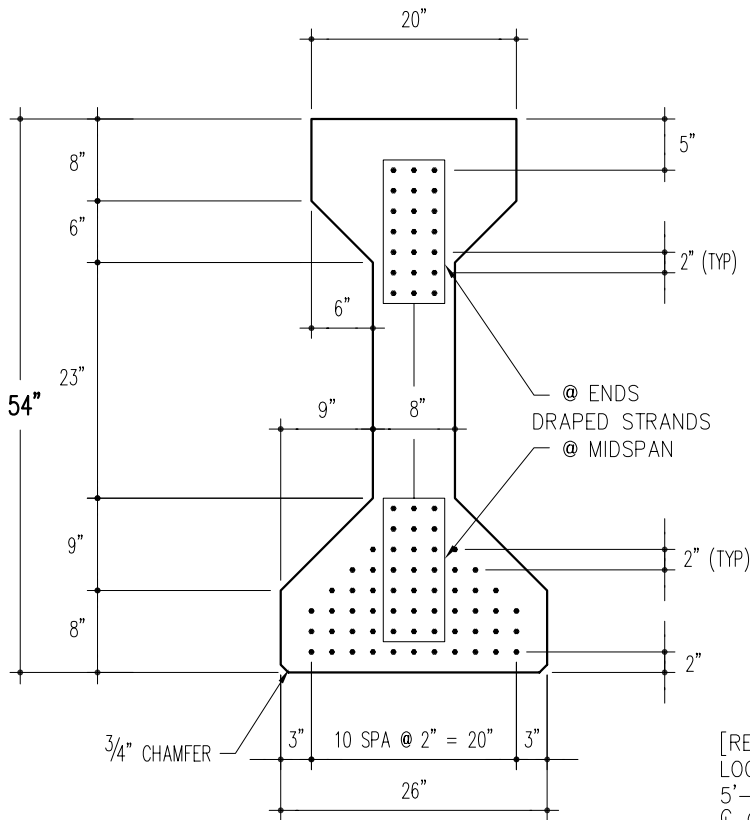
PRESTRESS SERVICES

INDUSTRIES LLC

Lexington, Ky - Decatur, In - Melbourne, Ky - Columbus, Oh - Henderson, Ky
 859.299.0461 - 260.724.7117 - 859.441.0068 - 614.871.2900 - 270.826-6244

AASHTO Type 4 I-Beam Reinforcement Details

Product Code	Depth (in)	Area (in ²)	Y _b (in ⁴)	I _{xx} (in ⁴)	I _{yy} (in ⁴)	Weight (plf)
4I	54	788.4	24.8	260,403	24,282	822



[RECOMMENDATION]
 LOCATE HOLDDOWNS
 5'-0" EACH SIDE OF
 C_L OF BEAM